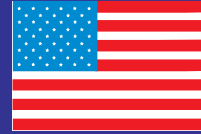


S-T INDUSTRIES, INC.

SCHERR-TUMICO

VIDEO INSPECTION SYSTEMS



MADE IN U.S.A.



See the
Quality

INDEX

VIDEO INSPECTION SYSTEMS

8700 SERIES	1-2
9100 SERIES	3-4
9700 SERIES	5-6

ACCESSORIES

FIXTURES AND CALIBRATION KITS	7
CONSOLE BASES	8
QUADRA-CHEK DIGITAL READOUTS	9

The S-T Industries Story

Since 1942, S-T Industries, Inc. has been manufacturing fine measuring instruments. From micrometers to optical comparators to video inspection systems, the SCHERR-TUMICO name continues to be a hallmark of quality around the world. When S-T introduced the Model 1500 vertical beam optical comparator in the 1950s, it allowed companies of all sizes to afford the technology of profile projection. As we look forward to the 21st century, S-T Industries is committed to providing high-quality products for metrology at reasonable prices.

Quality

Every SCHERR-TUMICO video inspection system receives a thorough inspection and certification before it leaves our factory. This assures you there will be no surprises at your factory. These products are hand-built and tested through each step of the process to guarantee that you will receive a reliable and proven instrument.

Performance

SCHERR-TUMICO video inspection systems are designed to give you the best value for your investment. We have a unit for any job or budget. From small, economical machines to large CNC measuring systems, you'll find we have just the right product to fit your needs. We'll even modify an existing system if we don't have exactly what you want.

Innovation

S-T Industries has incorporated many unique features into its products. Our CNC products all have a digital positioning system that allows table movements of 1 micron. We will continue to add new ideas and technology to our products, because at S-T Industries, our design engineer is our customer.

International Operations

SCHERR-TUMICO video inspection systems are available throughout the industrialized world. S-T Industries maintains a service and distribution network with factory qualified sales and service representatives in the following countries. Call or write for your representative.

Australia	Canada	China	Denmark
Germany	Great Britain	Holland	Hong Kong
India	Indonesia	Ireland	Israel
Malaysia	Mexico	Norway	Pakistan
Philippines	Scotland	Singapore	South America
South Korea	Sweden	Taiwan	Thailand
Turkey			

SCHERR-TUMICO for Quality, Service and Value

Service and Warranty

All S-T Industries Video Inspection Systems include a two-year warranty on parts and labor, installation and training at your facility, and a certificate to NIST. There are no additional hidden costs for this service.

8700



- Heavy-duty steel column
- High-resolution zoom optics
- Electronic crosshair generator
 - LED profile and surface lighting
 - LCD, Flat Panel Displays
 - Large 4" x 8" and 4" x 12" stage travel
 - Choice of 4 Quadra-Chek Digital Readout Systems
 - Z-axis measurements **available**
 - 65 years' manufacturing experience in USA
 - Optional Motorized Stage
 - Optional 3-axis CNC Controls

Shown Above:

Model 20-8700-03 with Quadra-Chek 320, and optional 20-1413-00 Console Base

8700

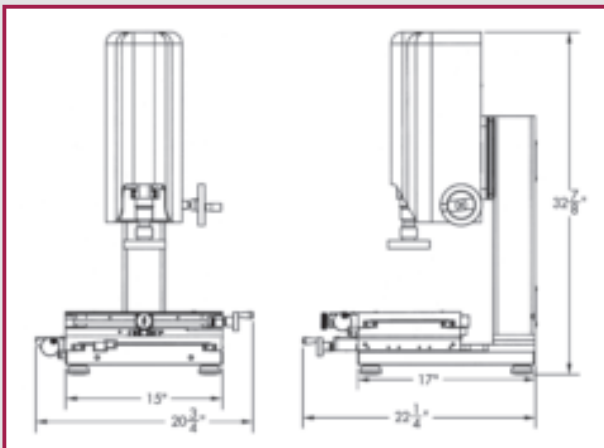
The 8700 Series Video Inspection System is our entry level model; however, it has the same accuracy and rigidity as our larger units.



Shown above with Quadra-Chek 220 and standard 17" color flat screen monitor

- High Precision 4" x 8" or 4" x 12" travel measuring stages with .00005"/.001 mm resolution precision glass scales with quick release on X axis
 - Heavy-duty steel column
 - High-resolution 30X to 180X Par Focus zoom optics
 - LED profile and surface illumination
 - 17" Flat Screen Color Monitor
 - Digital crosshair generator with automatic edge indicator
 - 6" Focus travel with optional Z-axis measuring scales
- Choice of four Quadra-Chek DROs
- Optional 2-axis or 3-axis Motor Controls
- Optional full CNC 3-axis Controls with Auto Focus, video edge detection, image capturing, and programmable lighting with joystick and trackball controls and fine-adjust knobs, allowing movements to .00005"/.001 mm.

Specifications



Work Table: 10" x 14" or 10" x 18" - Black Anodized

Measuring Range: (X)--8" (Y)--4" (Z)--6" or
(X)--12" (Y)--4" (Z)--6"

Allowable Work Load: 25 lb

Illumination: Profile - LED
Surface - LED

Magnification Lens: 30–180X Zoom

Electrical: 100–240 V, 50/60 Hz Compatible

Weight: Manual 195 lb Crated 225 lb
CNC 255 lb Crated 285 lb



- Integrated granite base and column
- Large 6" x 12" travel stage
- High-resolution zoom optics
- LED profile and surface illumination
- Electronic crosshair generator
- 17" LCD Flat Screen Monitor
- Z-axis measurements available
- Choice of 4 Quadra-Chek Digital Readouts
- Optional Motorized Stage
- Optional 3-axis CNC Controls

Shown Above:

Model 20-9100-02 with Quadra-Chek 220, and standard 17" flat screen monitor

9100



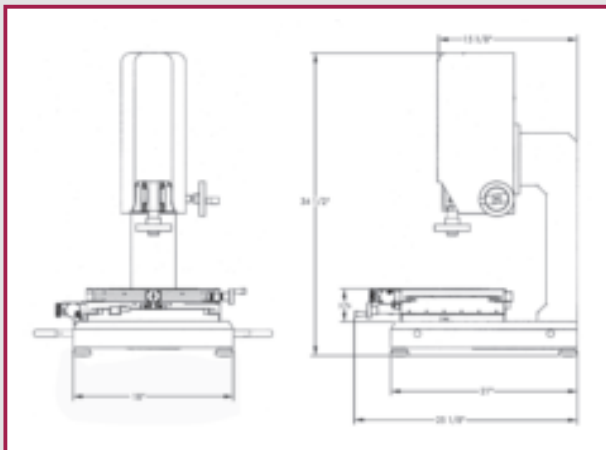
Shown Above:

Model 20-9188-00 with Quadra-Chek
320 and 3-axis CNC Controls

The 9100 Series Video Inspection System is our mid-range model.

- High Precision 6" x 12" travel measuring stages with .00005"/.001 mm resolution precision glass scales with quick release on X axis
- Integrated granite base and column
- High-resolution 30X to 180X Par Focus zoom optics
 - LED profile and surface illumination
 - 17" Flat Screen Color Monitor
 - Digital crosshair generator with automatic edge indicator
 - 6" Focus travel with optional Z-axis measuring scales
 - Choice of four Quadra-Chek DROs
- Optional 2-axis or 3-axis Motor Controls
- Optional full CNC 3-axis controls with Auto Focus, video edge detection and programmable lighting with joystick and trackball controls and fine adjust knobs allowing movements to .00005"/.001 mm.

Specifications



Work Table: 12" x 18" - Black Anodized

Measuring Range: (X)--12" (Y)--6" (Z)--6"

Allowable Work Load: 25 lb

Illumination: Profile - LED
Surface - LED

Magnification Lens: 30–180X Zoom

Electrical: 100–240 V, 50/60 Hz Compatible

Weight: Manual 330 lb Crated 365 lb
CNC 390 lb Crated 425 lb



- Heavy-duty integrated granite base and column
- Large 12" x 12" travel stage
- High-resolution zoom optics
- LED profile and surface illumination
- Electronic crosshair generator
- 17" LCD Flat Screen Monitor

- Z-axis measurements available
- Choice of 4 Quadra-Chek Digital Readouts
- Optional Motorized Stage
- Optional 3-axis CNC Controls

Shown Above:

20-9780-01 3-axis CNC Model with Quadra-Chek 5000 PC Computer-Based Digital Readout System with optional 20-1414 Console and 20-1415-00 Computer Desk.

9700

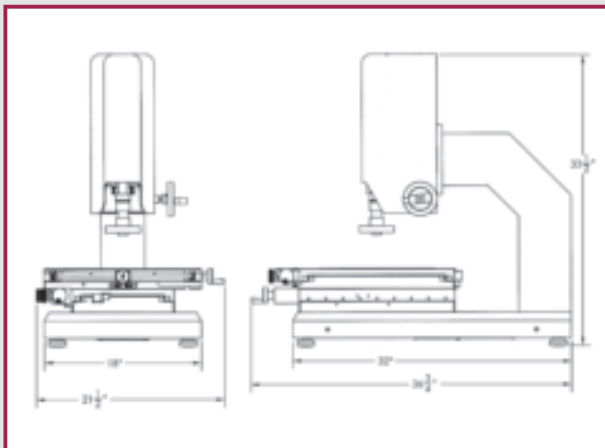
The 9700 Series Video Inspection System is our largest heavy-duty model.



Shown Above:
9700 Series Base Unit

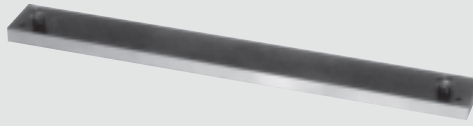
- High Precision 12" x 12" travel measuring stages with .00005"/.001 mm resolution precision glass scales with quick release on X axis
- Heavy-duty granite base and column
- High-resolution 30X to 180X Par Focus Zoom Optics
- LED profile and surface illumination
- 17" Flat Screen Color Monitor
- Digital crosshair generator with automatic edge indicator
- 6" Focus travel with optional Z-axis measuring scales
 - Choice of four Quadra-Chek DROs
 - Optional 2-axis or 3-axis Motor Controls
 - Optional full CNC 3-axis Controls with Auto Focus, video edge detection, image capturing, and programmable lighting with joystick and trackball controls and fine-adjust knobs allowing movements to .00005"/.001 mm.

Specifications



- Work Table:** 18" x 18" - Black Anodized
Measuring Range: (X)--12" (Y)--12" (Z)--6"
Allowable Work Load: 25 lb
Illumination: Profile - LED
Surface - LED
Magnification Lens: 30–180X Zoom
Electrical: 100–240 V, 50/60 Hz Compatible
Weight: Manual 455 lb Crated 500 lb
CNC 515 lb Crated 560 lb

Fixtures and Calibration Kits



20-8714-00 Datum Bar

- For use on 4" x 8" travel stage to position parts square to the stage

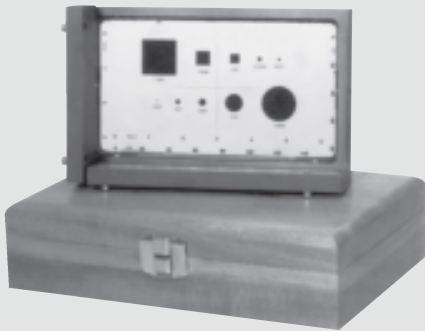
20-8714-05 Datum Bar

- Same as at left except for use on 4" x 12", 6" x 12" & 12" x 12" travel stages



20-0390-00 Right Angle Backing Plate

- For use to position parts square to the stage
- For use on all Video Systems



74-0500-00

- Stage calibration master for checking X & Y linear accuracy and squareness of stage
- Includes wood case and certificate to NIST
- For all sizes and types of Video Systems
- Measuring range, 4" x 6", English and metric



74-0501-00

- 12" long, English and metric
- Stage calibration master for checking linear stage **accuracy**
- Includes wood case and certificate to NIST
- For use on all Video Systems

Console Bases



20-8762

**Optional Bracket
to hold Monitor**

20-1413-00 Console Base

This console base is 38" tall, to use in the standing position. Includes bracket to hold Quadra-Chek 100, 200 or 300. Optional 20-8761 Monitor Bracket not required with QC-300.



20-1414-00 Console Base

This console base is 30" tall, to use in the sitting position. Can be used with all Video System models.



20-1415-00 Computer Desk

This computer desk is for use with CNC units using the QC-5000. Can be used with both Consoles.

Digital Readouts



STANDARD DIGITAL READOUT QUADRA-CHEK 120 (100)

The Standard digital readout features absolute/incremental, IN/MM conversion, random zeroing, RS232C output and linear error compensation.



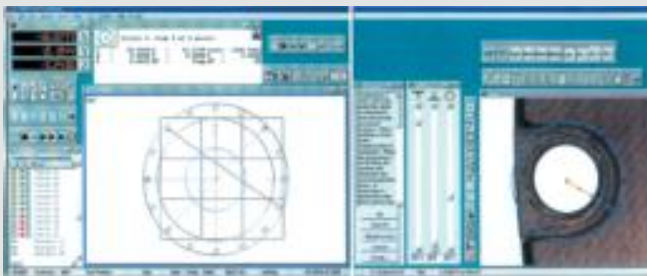
Quadra-Chek 220

This powerful digital readout provides fast geometric computations in a simple, easy-to-use format. Functions include point, line, circle, distance, angle, skew alignment and Measure Magic. Other features include Inch/MM, Cartesian/Polar, nearest/farthest distance, complementary angles, serial and parallel ports and 200-feature memory. Large, high-contrast LCD screen graphically displays measurement features and construction. Housing tilts backward or forward for best angle of operation.



Quadra-chek 320

The QC 320 features a touch screen, high-resolution color display. This digital readout also provides the video display including a built-in crosshair generator and video edge detection tools. Its functions include all the same standard geometric features as QC-220 Series; part programming, reporting, and an image capture capability.



Quadra-Chek 5000

PC computer-based 3-D geometric readout system with on-screen 3-dimensional graphic representation of the part or part segment as it is measured. Includes color camera and LCD monitor. Auto-focus on Z-axis, color video edge detection, programmable lighting, CAD interface, unlimited part and feature memory and Microsoft® Windows®. Includes computer, keyboard and mouse.

S-T INDUSTRIES, INC.

SCHERR-TUMICO

OPTICAL COMPARATORS



"3500" SERIES
14" HORIZONTAL BEAM



"3700" SERIES
14" HORIZONTAL BEAM



"4600" SERIES
14" VERTICAL BEAM



"1600" SERIES
16" HORIZONTAL BEAM



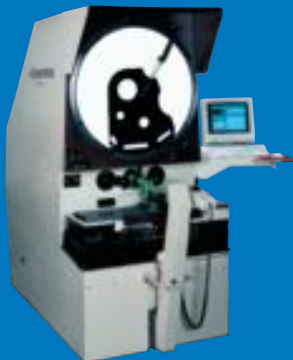
"2450" SERIES
24" HORIZONTAL BEAM



"2460" SERIES
24" HORIZONTAL BEAM

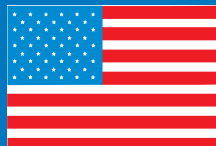


"2400" SERIES
24" VERTICAL BEAM



"5600" SERIES
30" HORIZONTAL BEAM

OVER
66
YEARS OF
Manufacturing Scherr-Tumico
Precision Instruments



MADE IN U.S.A.



"2600" SERIES
30" HORIZONTAL BEAM

S-T INDUSTRIES, INC.
SCHERR-TUMICO

301 Armstrong Boulevard North
St. James, Minnesota 56081-0517
Phone: 1-800-326-2039 • (507) 375-3211
Fax: (507) 375-4503
E-mail: sales@stindustries.com
Internet: www.stindustries.com

Form 40-0494-00

12/10



International Operations

SCHERR-TUMICO video inspection systems are available throughout the industrialized world. S-T Industries maintains a service and distribution network with factory qualified sales and service representatives in the following countries. Call or write for your representative.

Australia	Canada	China	Denmark
Germany	Great Britain	Holland	Hong Kong
India	Indonesia	Ireland	Israel
Malaysia	Mexico	Norway	Pakistan
Philippines	Scotland	Singapore	South America
South Korea	Sweden	Taiwan	Thailand
Turkey			